



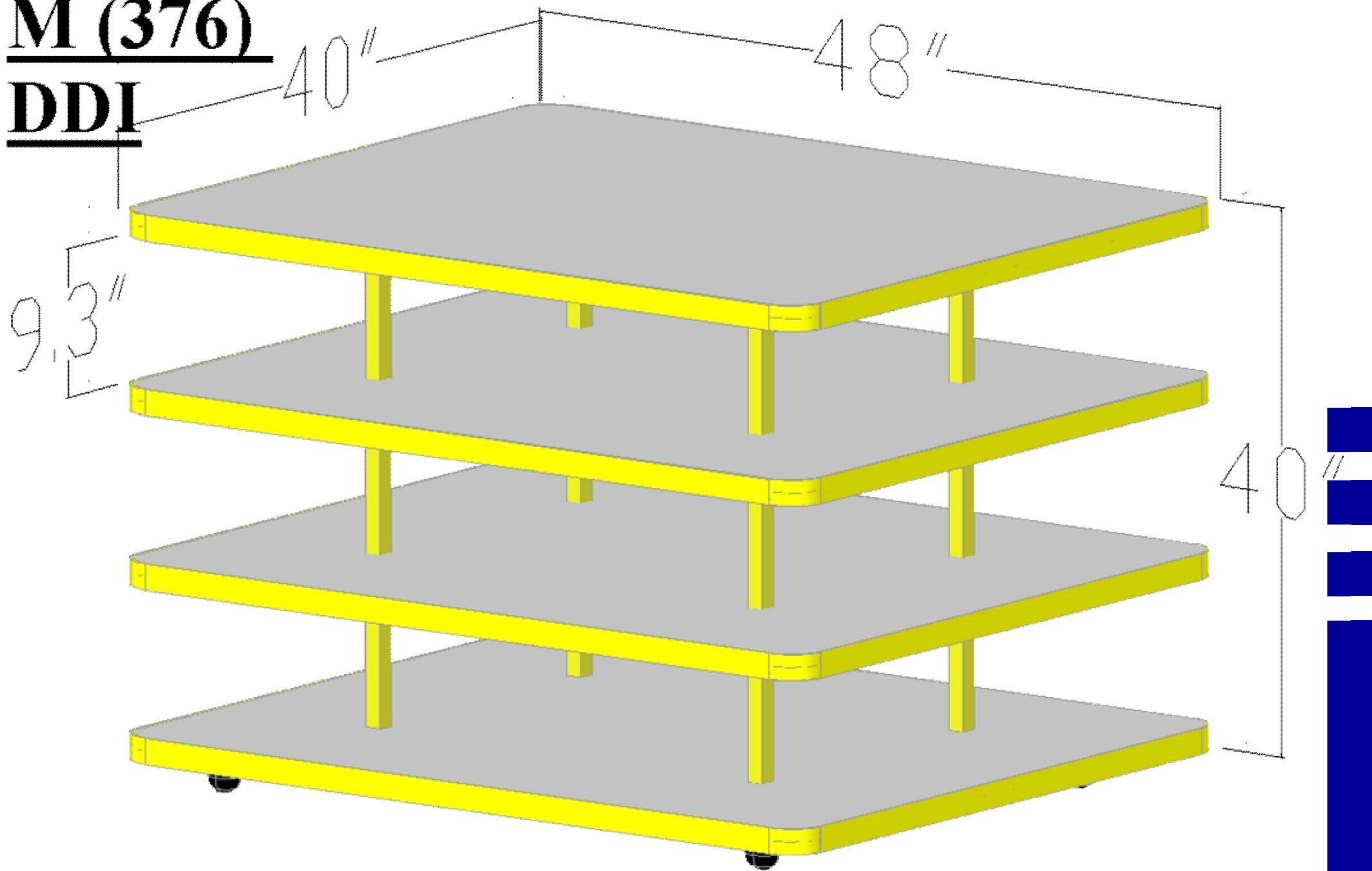
STORE FIXTURES

P.O.P. DISPLAYS

2131 -A March Road
Roseville, CA 95747-9702
Ph. (916) 786-4774, Fax 4775
Email info@dereksdesign.com
www.dereksdesign.com

M (376)

DDI



METAL TABLE, POLES IN 10" FROM SIDES
PICTURED: 40" WIDE X 48" LONG X 40" HIGH
4-TIER, 1.5" PTM STRIP ON ALL SHELVES,
YELLOW POWDER COATED, WHITE SHELVES,
2" RADIUS CORNERS, CASTERS

M (376)